



Parts List					Parts List				
ITEM	QTY	ITEM #	DESCRIPTION	PAGE	ITEM	QTY	ITEM #	DESCRIPTION	PAGE
1	1	40190149	Upper Frame Assy CGR2/CHE2	3	22	2	40192402	Wheel Assy, CGR/CHE 09-10/10	4
2	1	40190400	Back Frame Assy LH CGR/CHE 09-10/10	3	23	1	50191729	Wheel (ONLY) - Spoked 20"	4
3	1	40191200	LH Autolock	3	24	1	40191700	Clevis Axle w/ Lock Nut & Retaining ring	4
4	1	40191203	LH Click'n'Store	3	25	1	41191929	Brake Hub	4
5	1	40190406	Upper Back Tube LH Sub-Assy	3	26	1	50191308	Wheel Spacer	4
6	1	50191417	Flag Cap 1" Round Ribbed	3	27	1	50191773	Wheel Bearing	4
7	1	40190401	Back Frame Assy RH CGR/CHE 09-10/10	3	28	1	50191416	CAP - Wheel Rubber cap	4
8	1	40191201	RH Autolock	3	29	1	40193040	Suspension Cross Brace Tube Assy CGR2 09-10	2
9	1	40191202	RH Click'n'Store	3	30	1	40190627	Lower Seat Frame Assy CGR2/CHE2	2
10	1	40190407	Upper Back tube RH Sub-Assy	3	31	1	40193000	CAS Hardware	2
11	1	40190704	Lower back tube Sub-Assy	3	32	1	40193001	CAS Assy LH CGR 09-10	2
12	1	40190451	Cargo Bag Frame Assy - CGR2/CHE2	3	33	1	40193002	CAS Assy RH CGR 09-10	2
13	1	40190624	Upper Seat Frame Assy CGR2/CHE2	3	34	1	41191296	Axle Hanger Bracket	2
14	1	40191338	Handlebar Assy - CHE2/CGR2	4	35	1	40202011	Strap - Wrist Strap	3
15	1	40192900	Spring Clip & Button Assy	4	36	1	41190815	Support Hoop CGR2 09-10	4
16	1	50191817	Foam Grip, 13"	4	37	1	40191205	RH QR Assy CGR/CHE 09-10/10	3
17	1	40191501	Versa Wing 2.0 LH Assy	4	38	1	40191204	LH QR Assy CGR/CHE 09-10/10	3
18	1	40191500	Versa Wing 2.0 RH Assy	4	39	2	40190250	Lower Frame sub-assy CGR 09-10	2
19	1	40191736	Axle w/ Parking Brake Assy CHE2/CGR2	2					
20	1	41193032	Plastic Axle Adapter	2					
21	1	41191927	Brake Housing, Top Plate	2					

PART NUMBER <b>10X0091X</b>		SHEET <b>1 OF 4</b>	
REV	ECO NUMBER	DATE	INITIAL
E-1	2009-040	04/03/09	KM

B

B



Sewn Goods (No drawing's attached)	
PART #	DESCRIPTION
50203031	Harness
50293059	Seat Pad (Double)

Sewn Goods (No drawing's attached)				
COLOR	PART #	BODY	COVER	CARGO BAG
RED CGR2	10100912	30190912	31190910	33190909
ORANGE CGR2	10100913	30190913	31190911	33190910
AVOCADO CGR2	10100914	30190914	31190912	33190911
RED EUD CGR2	10300910	30190912	31390904	33190909
AVOCADO EUD CGR2	10300911	30190914	31390905	33190911

A

A



THIS PRINT IS THE CONFIDENTIAL AND PROPRIETARY PROPERTY OF CHARIOT CARRIERS INC. THE REPRODUCTION OF THIS PRINT, MANUFACTURE OF THE ITEM DESCRIBED HEREON, OR THE DISCLOSURE OF THE SAME IS FORBIDDEN WITHOUT THE EXPRESSED WRITTEN CONSENT OF THE OWNER

MATERIAL N/A
CONDITION SERVICE PART
FINISH N/A

**UNLESS OTHERWISE SPECIFIED ALL DIMENSIONS ARE IN MILLIMETERS**  
 PERPENDICULAR SURFACES TO BE SQUARE WITHIN .03  
 TOTAL RUNOUT WITHIN .06 ON COMMON DIAMETERS  
 ALL DRILLED HOLES TO BE MAX 0.2 mm OVERSIZED

REMOVE SHARP EDGES .15 MAX  
 FILLETS R.15 MAX  
 ANGLES ±0°30'  
 ALL MACHINED SURFACES  
 64 MICRO INCHES

TOLERANCE: DECIMAL  
 X = ± 1 mm  
 X = ± .5 mm  
 .XX = ± .2 mm

DRAWN <b>KMENDES</b>
DATE <b>03/23/2009</b>
DESCRIPTION <b>CGR2 SERVICE PARTS</b>

PART NUMBER <b>10X0091X</b>	



Parts List			
ITEM	QTY	ITEM #	DESCRIPTION
19	1	40191736	Axle w/ Parking Brake Assy CHE2/CGR2
20	1	41193032	Plastic Axle Adapter
21	1	41191927	Brake Housing, Top Plate
29	1	40193040	Suspension Cross Brace Tube Assy CGR2 09-10
30	1	40190627	Lower Seat Frame Assy CGR2/CHE2
31	1	40193000	CAS Hardware
32	1	40193001	CAS Assy LH CGR 09-10
33	1	40193002	CAS Assy RH CGR 09-10
34	1	41191296	Axle Hanger Bracket
39	2	40190250	Lower Frame sub-assy CGR 09-10

PART NUMBER <b>10X0091X</b>		SHEET <b>2 OF 4</b>	
REV	ECO NUMBER	DATE	INITIAL
E-1	2009-040	04/03/09	KM

B

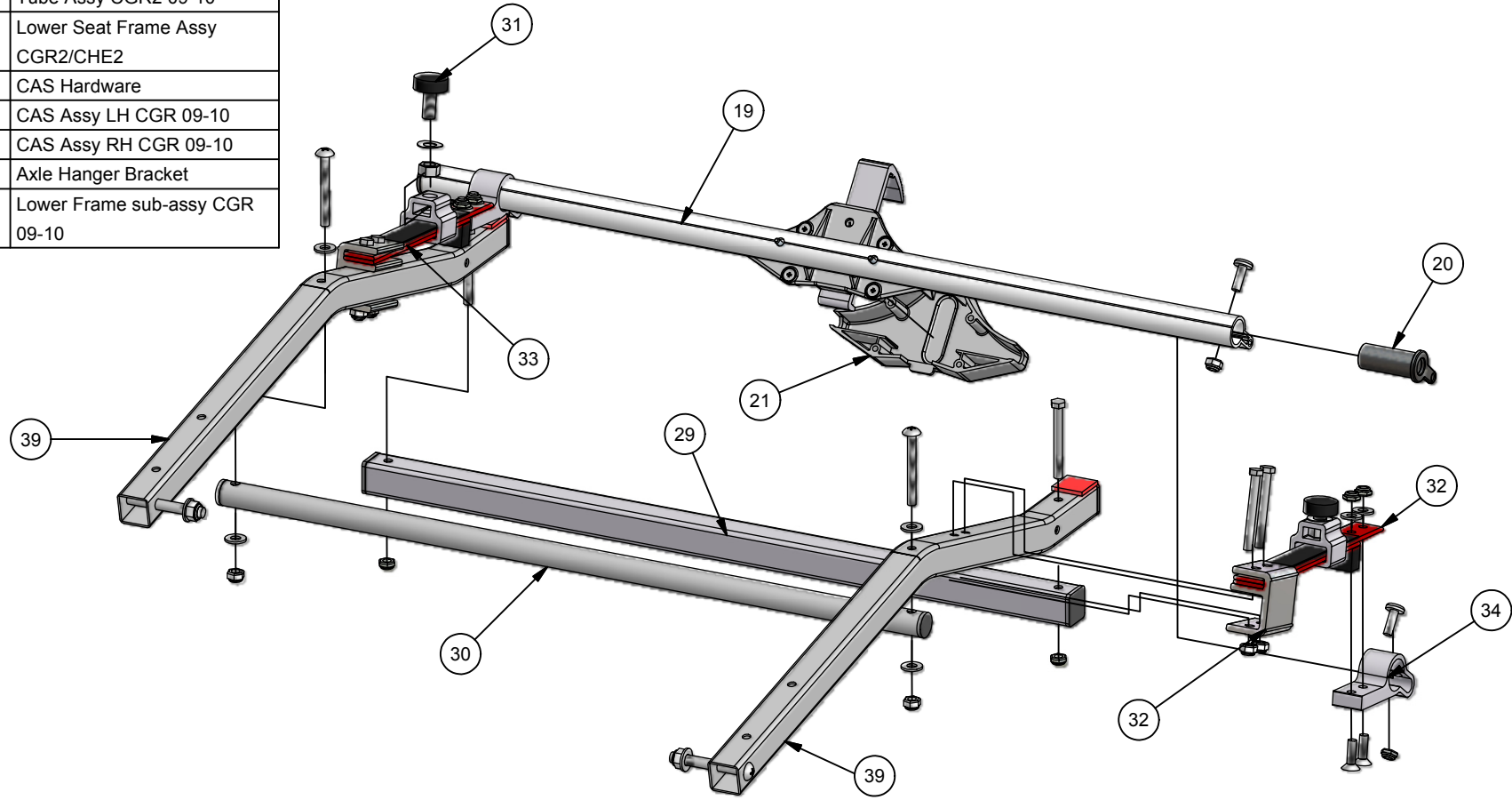
B

A

A

A

A



THIS PRINT IS THE CONFIDENTIAL AND PROPRIETARY PROPERTY OF CHARIOT CARRIERS INC. THE REPRODUCTION OF THIS PRINT, MANUFACTURE OF THE ITEM DESCRIBED HEREON, OR THE DISCLOSURE OF THE SAME IS FORBIDDEN WITHOUT THE EXPRESSED WRITTEN CONSENT OF THE OWNER

MATERIAL N/A
CONDITION SERVICE PART
FINISH N/A

**UNLESS OTHERWISE SPECIFIED  
ALL DIMENSIONS ARE IN MILLIMETERS**  
 PERPENDICULAR SURFACES TO BE SQUARE WITHIN .03  
 TOTAL RUNOUT WITHIN .06 ON COMMON DIAMETERS  
 ALL DRILLED HOLES TO BE MAX 0.2 mm OVERSIZED

REMOVE SHARP EDGES .15 MAX  
 FILLETS R.15 MAX  
 ANGLES ±0°30'

ALL MACHINED SURFACES  
 64 MICRO INCHES

TOLERANCE: DECIMAL  
 X = ± 1 mm  
 .X = ± .5 mm  
 .XX = ± .2 mm

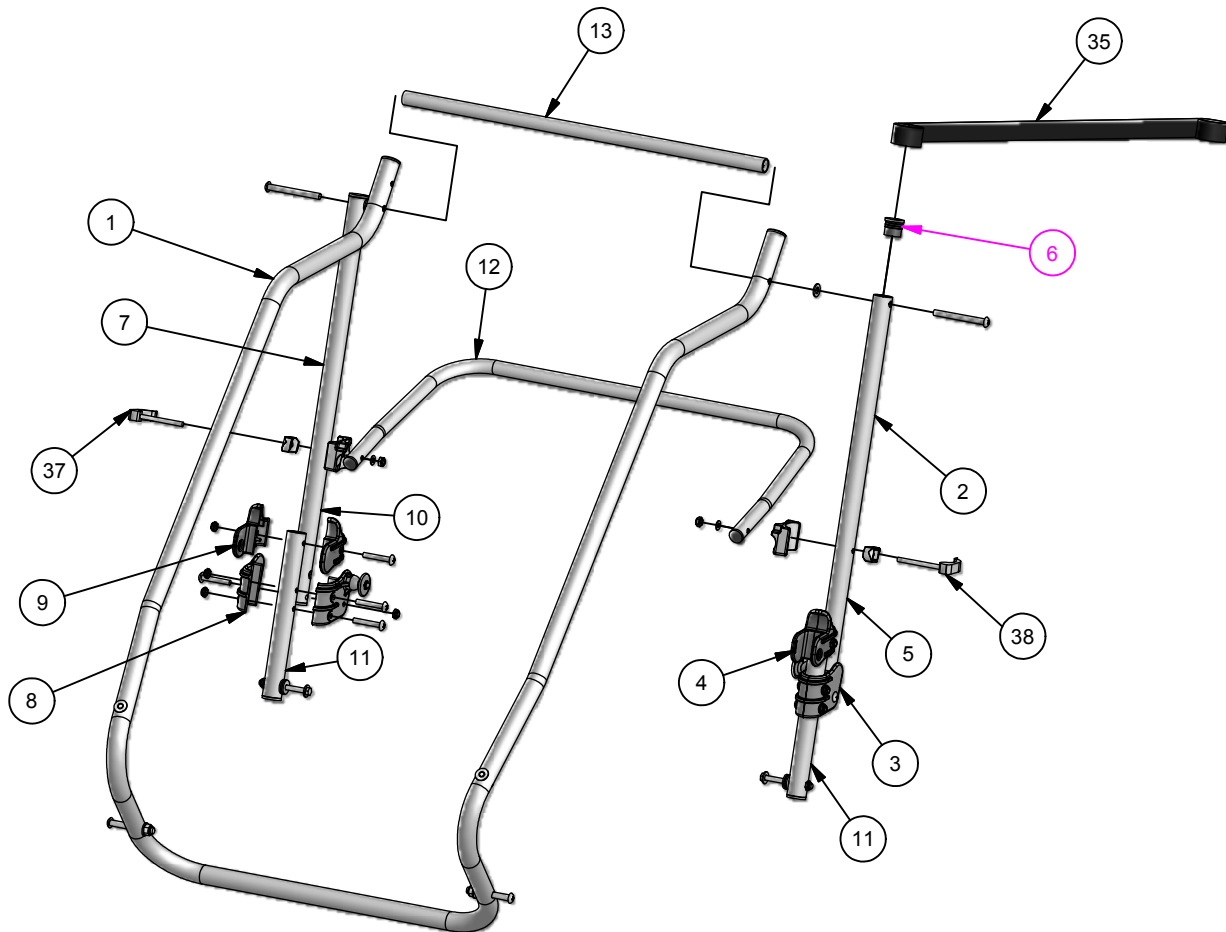
DRAWN KMENDES
DATE 03/23/2009
DESCRIPTION CGR2 SERVICE PARTS



PART NUMBER  
10X0091X

Parts List			
ITEM	QTY	ITEM #	DESCRIPTION
1	1	40190149	Upper Frame Assy CGR2/CHE2
2	1	40190400	Back Frame Assy LH CGR/CHE 09-10/10
3	1	40191200	LH Autolock
4	1	40191203	LH Click'n'Store
5	1	40190406	Upper Back Tube LH Sub-Assy
6	1	50191417	Flag Cap 1" Round Ribbed
7	1	40190401	Back Frame Assy RH CGR/CHE 09-10/10
8	1	40191201	RH Autolock
9	1	40191202	RH Click'n'Store
10	1	40190407	Upper Back tube RH Sub-Assy
11	1	40190704	Lower back tube Sub-Assy
12	1	40190451	Cargo Bag Frame Assy - CGR2/CHE2
13	1	40190624	Upper Seat Frame Assy CGR2/CHE2
35	1	40202011	Strap - Wrist Strap
37	1	40191205	RH QR Assy CGR/CHE 09-10/10
38	1	40191204	LH QR Assy CGR/CHE 09-10/10

PART NUMBER <b>10X0091X</b>		SHEET <b>3 OF 4</b>	
REV	ECO NUMBER	DATE	INITIAL
E-1	2009-040	04/03/09	KM



THIS PRINT IS THE CONFIDENTIAL AND PROPRIETARY PROPERTY OF CHARIOT CARRIERS INC. THE REPRODUCTION OF THIS PRINT, MANUFACTURE OF THE ITEM DESCRIBED HEREON, OR THE DISCLOSURE OF THE SAME IS FORBIDDEN WITHOUT THE EXPRESSED WRITTEN CONSENT OF THE OWNER

MATERIAL

N/A

CONDITION

SERVICE PART

FINISH

N/A

**UNLESS OTHERWISE SPECIFIED ALL DIMENSIONS ARE IN MILLIMETERS**

PERPENDICULAR SURFACES TO BE SQUARE WITHIN .03  
TOTAL RUNOUT WITHIN .06 ON COMMON DIAMETERS  
ALL DRILLED HOLES TO BE MAX 0.2 mm OVERSIZED

REMOVE SHARP EDGES .15 MAX

FILLETS R.15 MAX

ANGLES ±0°30'

ALL MACHINED SURFACES

64 MICRO INCHES

TOLERANCE: DECIMAL

X = ± 1 mm

.X = ± .5 mm

.XX = ± .2 mm

DRAWN

KMENDES

DATE

03/23/2009

DESCRIPTION

CGR2 SERVICE PARTS



PART NUMBER

10X0091X

Parts List			
ITEM	QTY	ITEM #	DESCRIPTION
14	1	40191338	Handlebar Assy - CHE2/CGR2
15	1	40192900	Spring Clip & Button Assy
16	1	50191817	Foam Grip, 13"
17	1	40191501	Versa Wing 2.0 LH Assy
18	1	40191500	Versa Wing 2.0 RH Assy
22	2	40192402	Wheel Assy, CGR/CHE 09-10/10
23	1	50191729	Wheel (ONLY) - Spoked 20"
24	1	40191700	Clevis Axle w/ Lock Nut & Retaining ring
25	1	41191929	Brake Hub
26	1	50191308	Wheel Spacer
27	1	50191773	Wheel Bearing
28	1	50191416	CAP - Wheel Rubber cap
36	1	41190815	Support Hoop CGR2 09-10

PART NUMBER <b>10X0091X</b>		SHEET <b>4 OF 4</b>	
REV	ECO NUMBER	DATE	INITIAL
E-1	2009-040	04/03/09	KM

B

B

A

A



THIS PRINT IS THE CONFIDENTIAL AND PROPRIETARY PROPERTY OF CHARIOT CARRIERS INC. THE REPRODUCTION OF THIS PRINT, MANUFACTURE OF THE ITEM DESCRIBED HEREON, OR THE DISCLOSURE OF THE SAME IS FORBIDDEN WITHOUT THE EXPRESSED WRITTEN CONSENT OF THE OWNER

MATERIAL  
N/A

CONDITION  
SERVICE PART

FINISH  
N/A

**UNLESS OTHERWISE SPECIFIED ALL DIMENSIONS ARE IN MILLIMETERS**

PERPENDICULAR SURFACES TO BE SQUARE WITHIN .03  
TOTAL RUNOUT WITHIN .06 ON COMMON DIAMETERS  
ALL DRILLED HOLES TO BE MAX 0.2 mm OVERSIZED

REMOVE SHARP EDGES .15 MAX  
FILLET R.15 MAX  
ANGLES ±0°30'  
ALL MACHINED SURFACES  
64 MICRO INCHES

TOLERANCE: DECIMAL  
X = ± 1 mm  
.X = ± .5 mm  
.XX = ± .2 mm

DRAWN  
KMENDES

DATE  
03/23/2009

DESCRIPTION  
CGR2 SERVICE PARTS



PART NUMBER  
10X0091X